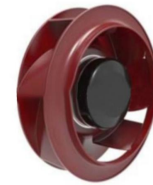




DC Centrifugal FAN

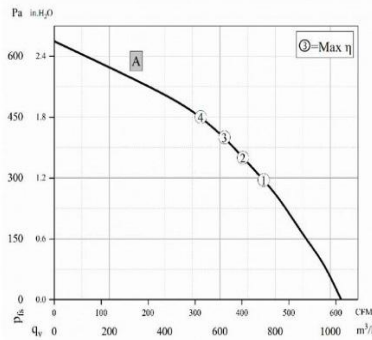
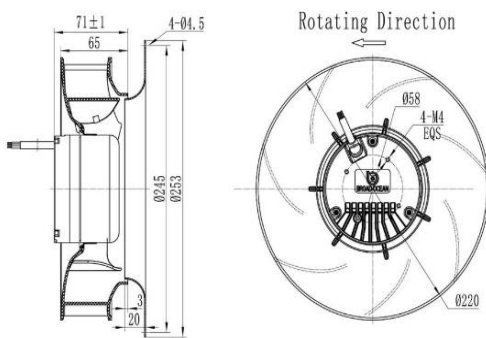
AQL22071B 220*71MM

- Motor:DC Centrifugal
- Bearing:Ball
- Shell frame: PBT UL94V-0
- Fan blade: PBT UL94V-0
- Insulation:Class B
- Wire:AWG#26UL1007 (optional)
- PIN1:BLACK WIRE---(-)
- PIN2:RED WIRE---(+)



DIMENSIONS DRAWING(unit:mm)

P@Q CURVE(AT RATEDVOLTAGE)



	P _{st} (Pa)	Airflow (m ³ /h)	Speed (rpm)	Power (W)	Noise (dB(A))
①	295	760	3145	134	68.3
②	350	685	3145	139	68.0
③	400	615	3140	139	66.5
④	450	530	3140	139	66.6

•距离风机出口 1m 处测试噪音/Test noise from fan outlet 1 m away

Model	Bearing Mode①	Rated Vol	Frequency	Rated current	Rated input power	Speed	Maximum air Flow		Maximum Air pressure		Noise
PART. NO.	B=Ball S=Sleeve H=Hydraulic	VDC	VDC	Amp	Watt	R. P. M	M3/min	CFM	mmH20	InH20	dB-A
AQL22071B48L		48	36~57	2.3	110	3155	1040	/	/	/	73.5

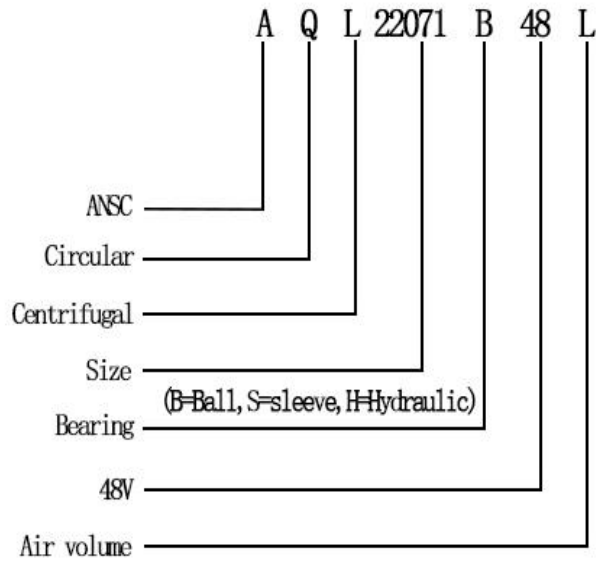
①Bearing Mode:Ball/ Sleeve/Hydraulic/Ball (UL)/Sleeve (UL)Hydraulic (UL)

②X=Function: FG RD RDL LD PWM TP VC RC CS RP SS AS CL IPX5

③A=Plug

④C=Customized by customers: Air volume, Air duct, Movement,Service life, Temperature, Noise, Material, Mold.etc.

导引：编码规则Code Rule



*PROPRIETARY AND CONFIDENTIAL , THE INFORMATION CONTAINED IN THIS DRAWING IS THE SOLE PROPERTY OF <ALL NEW SEMI>.
ANY REPRODUCTION IN PART OR AS A WHOLE WITHOUT THE WRITTEN PERMISSION OF <ALL NEW SEMI> IS PROHIBITED.

<https://allnewsemi.com>
<https://allnewsemi.shop>